

CUBE TOWER

CRC116

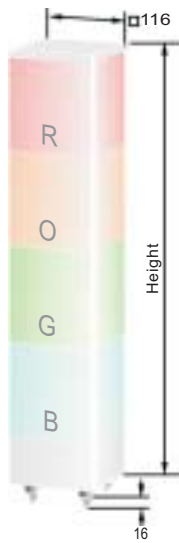


NPN/PNP

IP20

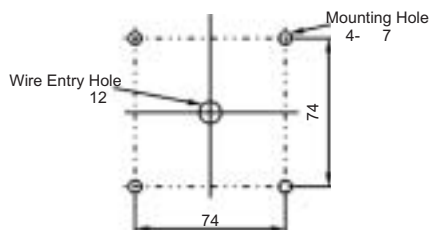


Dimensions



Height (mm)

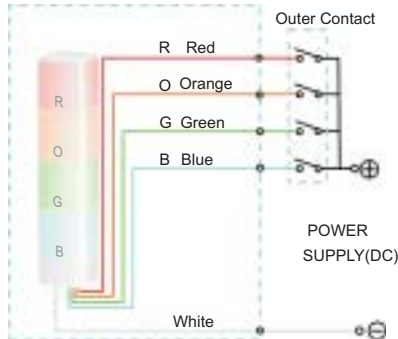
- 1Light : 185
- 2Lights : 290
- 3Lights : 395
- 4Lights : 500



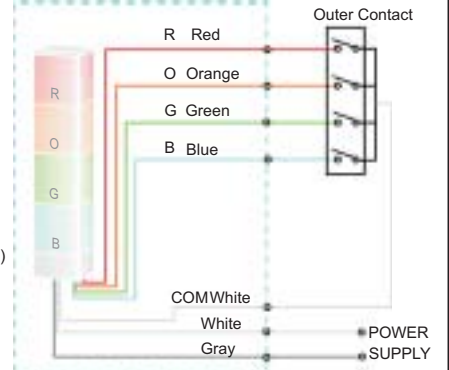
Wiring Diagram In Direct Power Connection

Without Buzzer

(DC 24V OR DC12V)

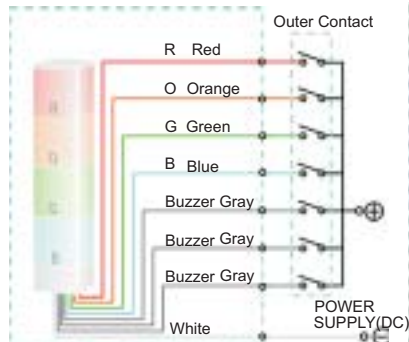


(AC 110/220V)

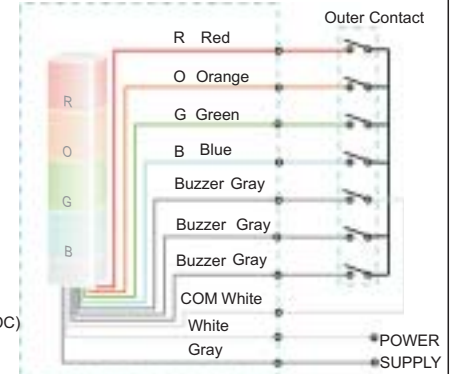


With Buzzer

(DC 24V OR DC12V)



(AC 110/220V)



Describing

- Colours: Red, Orange, Green, Blue, (combination in photo is standard; for other combinations, please contact us.)
- Lens: Acrylic resin with superior weather resistance and light translucence.
- Sound level: Max 90 dB/m
- Colour combinations can be easily changed.
- Various types of information can be displayed by using different colours controlled by several (1 to 4) external signals.
- Our own long-life vibration resistant bulbs are used.
- Emits intermittent electronic buzzer sound together with rotary flash; buzzer can be operated from one -stage to all stages.
- Buzzer sound: intermittent pee-pee sound.
- Vibration Resistance: 10~55HZ Frequency, 0.5mm amplitude in Y direction for 40 minutes.
- Shock resistance 500m/s² acceleration (approx. 50G) in Y direction for three times.

Type

■ Bulb Type

Style	Rated Voltage	Bulb	Model		Wire Type
			Flashing Light	Flashing Light With Warning Sound	
1 Light	DC 12V	12V 10W	CRC116-BB0B-11	CRC116-BE0B-11	Power source and Lead wire UL AWM1430 105° 300V VW-1 AWG20
	DC 24V	24V 10W	CRC116-BB0E-11	CRC116-BE0E-11	
	AC 24V		CRC116-BB0D-11	CRC116-BE0D-11	
	AC 110V	12V 5W	CRC116-BB0M-11	CRC116-BE0M-11	
	AC 220V		CRC116-BB0N-11	CRC116-BE0N-11	
2 Light	DC 12V	12V 10W	CRC116-BB0B-21	CRC116-BE0B-21	
	DC 24V	24V 10W	CRC116-BB0E-21	CRC116-BE0E-21	
	AC 24V		CRC116-BB0D-21	CRC116-BE0D-21	
	AC 110V	12V 5W	CRC116-BB0M-21	CRC116-BE0M-21	
	AC 220V		CRC116-BB0N-21	CRC116-BE0N-21	
3 Light	DC 12V	12V 10W	CRC116-BB0B-31	CRC116-BE0B-31	
	DC 24V	24V 10W	CRC116-BB0E-31	CRC116-BE0E-31	
	AC 24V		CRC116-BB0D-31	CRC116-BE0D-31	
	AC 110V	12V 5W	CRC116-BB0M-31	CRC116-BE0M-31	
	AC 220V		CRC116-BB0N-31	CRC116-BE0N-31	
4 Light	DC 12V	12V 10W	CRC116-BB0B-41	CRC116-BE0B-41	
	DC 24V	24V 10W	CRC116-BB0E-41	CRC116-BE0E-41	
	AC 24V		CRC116-BB0D-41	CRC116-BE0D-41	
	AC 110V	12V 5W	CRC116-BB0M-41	CRC116-BE0M-41	
	AC 220V		CRC116-BB0N-41	CRC116-BE0N-41	